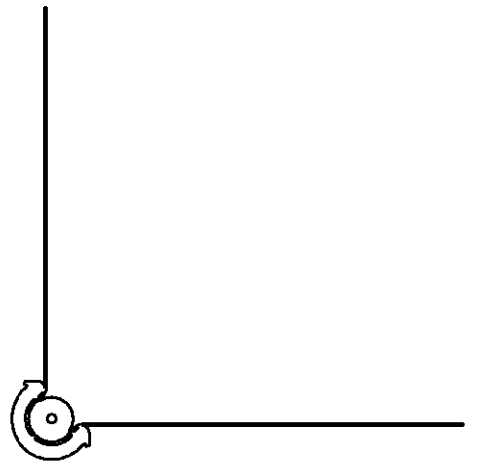


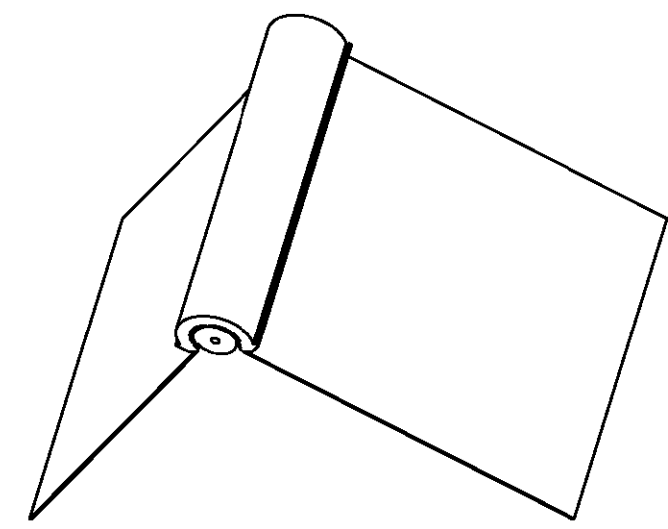
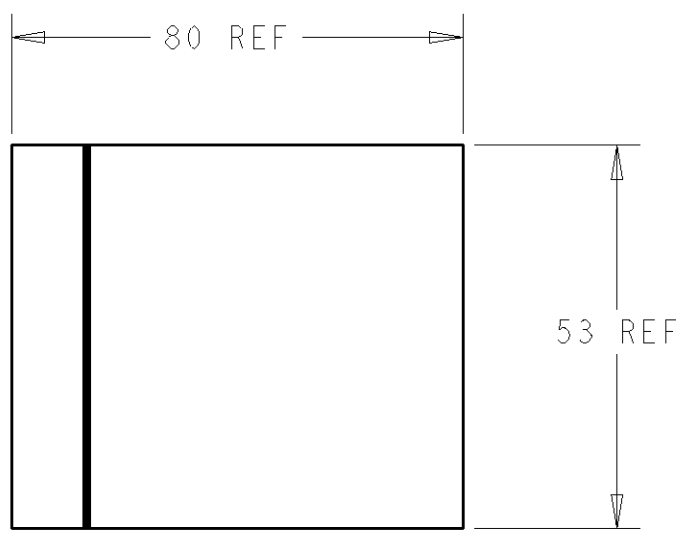
THIS DRAWING IS UNPUBLISHED. RELEASED FOR PUBLICATION 20  
 © COPYRIGHT 20 BY TYCO ELECTRONICS CORPORATION. ALL RIGHTS RESERVED.

LOC	DIST	REVISIONS			
P	LTR	DESCRIPTION	DATE	DWN	APVD
CE	16	B	REDRAWN AND REVISED PER 0A00-0767-00	27SEP00	TA SB



- EPOXY TO BE PACKAGED IN A 4 GRAM PACK.
- BAG SHALL BE MARKED AS FOLLOWS:  
 TYCO ELECTRONICS/AMP P/N 504035-1  
 (EPO-TEK 353ND)  
 CURE: 10 MIN @ 115°C  
 LOT  $\triangle 3$  EXP  $\triangle 3$   
 STORE AT 68°F-77°F AND < 60% HUMIDITY

$\triangle 3$  EPO-TEK FORMULATION DATE (MMDDYY) AND EXPIRATION DATE MM/DD/YY.



504035-1  
 PART NUMBER

<small>THIS DRAWING IS A CONTROLLED DOCUMENT FOR TYCO ELECTRONICS CORPORATION          IT IS SUBJECT TO CHANGE AND THE CONTROLLING ENGINEERING ORGANIZATION          SHOULD BE CONTACTED FOR THE LATEST REVISION.</small>		DWN T. ALEXANDER 14SEP2000 CHK M. HAMONKO 26SEP2000 APVD S. BUCHTER 26SEP2000		<b>AMP</b> Tyco Electronics Harrisburg, PA 17105-3608	
DIMENSIONS: mm		TOLERANCES UNLESS OTHERWISE SPECIFIED: 0 PLC ±- 1 PLC ±- 2 PLC ±- 3 PLC ±- 4 PLC ±- ANGLES ±-		NAME EPOXY, 353ND, 4 GM	
MATERIAL -		FINISH -		PRODUCT SPEC - APPLICATION SPEC - WEIGHT -	
		SIZE A3		CAGE CODE 00779	
		DRAWING NO C-504035		RESTRICTED TO -	
CUSTOMER DRAWING				SCALE 1:1 SHEET 1 OF 1 REV B	